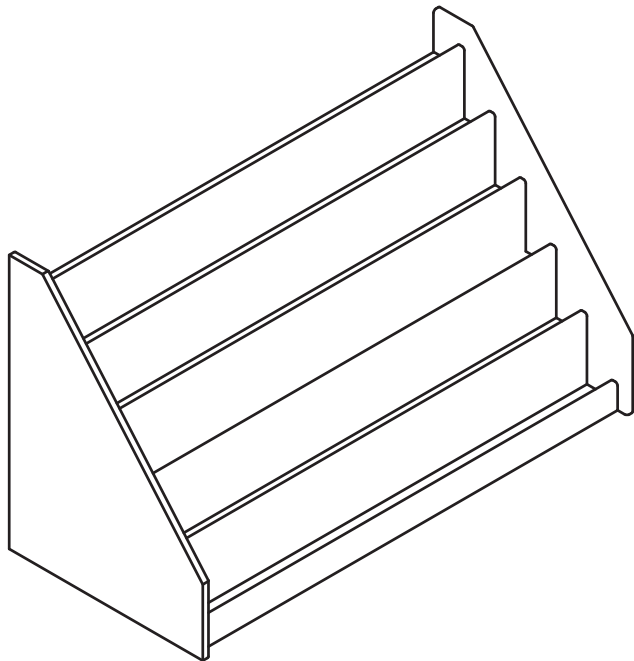


Open Face Bookcase Plans v1 - Draft



Material List

2 - 1" x 8" x 96"

1 - 1" x 8" x 72"

4 - 1" x 3" x 96"

1 - 1" x 3" x 72"

1 Sheet of 2' x 4' x 3/4" Plywood

Pocket Hole System

Wood Glue

1 1/4" Pocket Hole Screws (for soft and ply)

1 5/8" Interior Wood Screws

1" Interior Wood Screws

Circular Saw, Sander, Drill

Cut List

5 - 1" x 8" x 45"

7 - 1" x 3" x 45"

10 - 1" x 3" x 1"

2 Trapezoidal Plywood Sides (see diagram)

